

# THE O WALLPAPERS WITH HISTORIES

GUIDE TO BUTT-TO-BUTT WALLPAPERING

# THE O WALLPAPERS WITH HISTORIES

GUIDE TO BUTT-TO-BUTT WALLPAPERING



THE  
  
 GUIDE TO  
 BUTT-TO-BUTT  
 WALLPAPERING

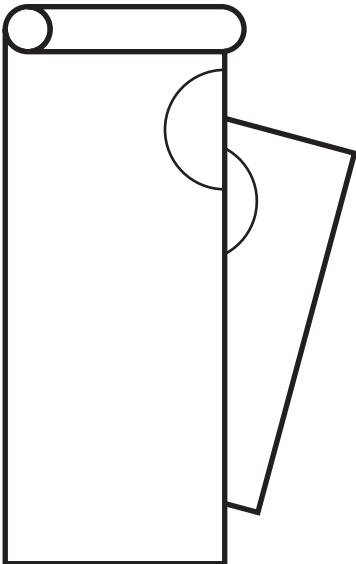
NOTE

Material – paper, vinyl coating.  
 Resistant to soap, detergents and alcohol. It requires no special skills to hang it. Wet cleaning possible (after drying). Fire Safety Certificate B1 (fire-resisting material). Raw material – the Netherlands.

1

SPREAD PHOTO WALLPAPER

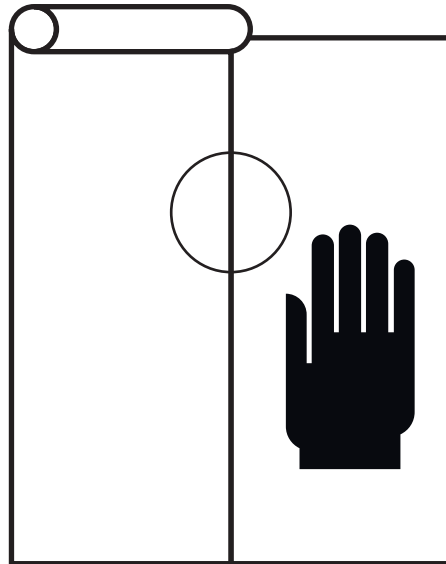
The first thing that should be done before hanging the wallpaper, is preparing the walls, the same way as for putting up the usual wallpaper: the base surface should be clean, smooth, fat-free and well absorbent; the remains of old wallpaper and roughness should be removed, the paint should be scraped, holes and openings, if any, should be plastered.



2

MATCH THE PATTERN

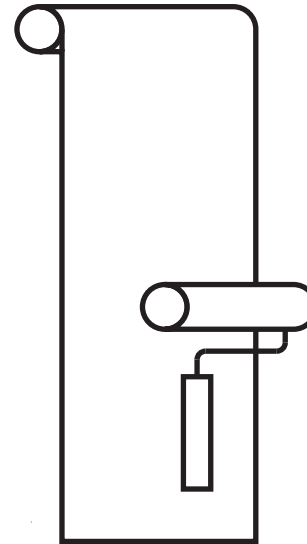
Match the pattern consisting of several parts to make the further work clear (Figure 2) - Since many walls are not strictly rectangular, it is necessary to draw an even vertical line on the wall with a plumb bob to hang the first strip without incline. – After that prepare the paste.



3

APPLY PASTE TO SHEET

Apply the paste carefully to a wallpaper sheet with uniform strokes (Figure 3) Pay special attention to the edges. Be sure to wait for 3 minutes for wallpaper to absorb the paste. Meanwhile, apply the paste to the walls. - After that, you can hang the first part of the wallpaper. Smooth out the folds with a wallpaper roller.



4

HANG BUTT-TO-BUTT

Hang the subsequent parts butt-to-butt matching the pattern (Figure 4)

\* Use paste for vinyl wallpaper

