

THE O WALLPAPERS WITH HISTORIES

GUIDE TO WRAP-AND-OVERLAP WALLPAPERING

THE O WALLPAPERS WITH HISTORIES

GUIDE TO WRAP-AND-OVERLAP WALLPAPERING



THE



GUIDE TO
WRAP-AND-OVERLAP
WALLPAPERING

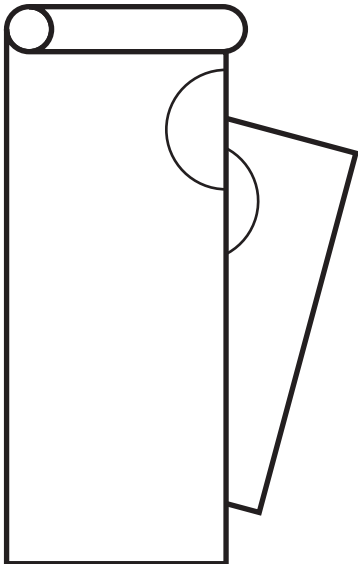
NOTE

Material – paper, vinyl coating.
Resistant to soap, detergents and alcohol. It requires no special skills to hang it. Wet cleaning possible (after drying). Fire Safety Certificate B1 (fire-resisting material). Raw material – the Netherlands.

1

SPREAD PHOTO WALLPAPER

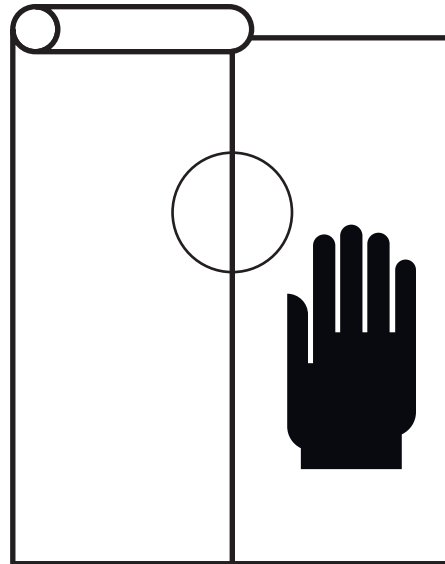
The first thing that should be done before hanging the wallpaper, is preparing the walls, the same way as for putting up the usual wallpaper: the base surface should be clean, smooth, fat-free and well absorbent; the remains of old wallpaper and roughness should be removed, the paint should be scraped, holes and openings, if any, should be plastered. Prime the wall with antifungal primer, AND



2

MATCH THE PATTERN

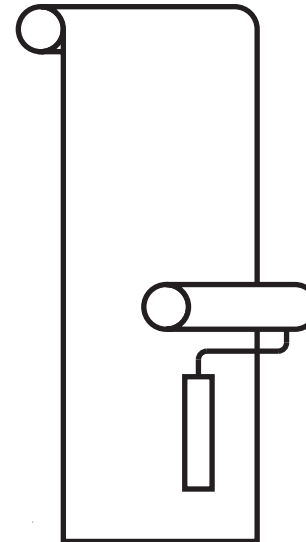
Match the pattern consisting of several parts to make the further work clear (Figure 2) - Since many walls are not strictly rectangular, it is necessary to draw an even vertical line on the wall with a plumb bob to hang the first strip without incline. – After that prepare the paste.



3

APPLY PASTE TO SHEET

Apply the paste carefully to a wallpaper sheet with uniform strokes (Figure 3) Pay special attention to the edges. After that, you can hang the first part of the wallpaper. Smooth out the folds with a wallpaper roller. Do not apply paste on wallpapers!



4

HANG WRAP-AND-OVERLAP

Hang the subsequent parts wrap-and-overlap, matching the pattern (Figure 4). After both sheets are hung, cut along the center of the joint with a sharp knife using a ruler. Remove unnecessary strips. Then fold back the joints and additionally lubricate them with glue for the joints. Press the joint with a rubber roller.

